



Maestro Tub - construction features:

- Acrylic models finished in 1/8" thick layer of deep lustrous acrylic.
- Extra thick reinforced fiberglass.
- Foam Fill sound insulator
- Pre-wired pump on pump platform (standard pump location only)
- Integral E-Z Level platform facilitates installation.
- Non-skid bottom.
- Integral Cable waste & overflow

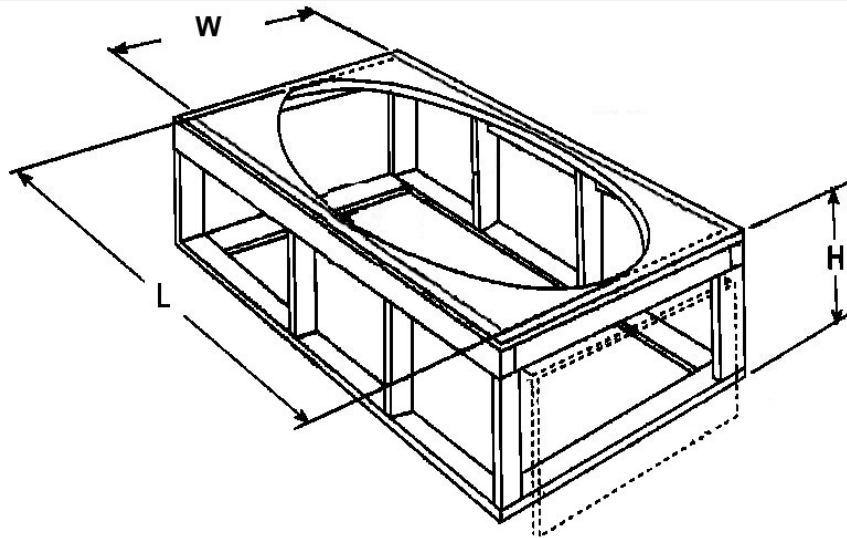
Maestro PVC Systems – include:

- 8 Fully directional adjustable PVC jets
- Anti-vortex safety suction.
- Color matched system trim
- HydroOzone ozone sanitation system
- Rigid PVC piping
- Self draining pump and system
- Soft Touch electronic on/off control with 30 min integral timer

Maestro Tub - options:

- Available as Tub only, Thermal Air, Whirlpool or Combo
- Extra High Density Fiberglass
- Custom jet and pump locations
- Plated Metallic finish
- Additional directional Jets
- Swirling, Rotating, or Jumbo Jets
- Micro Therapy Jet
- 1.5 HP Variable Speed Pump (digital temperature display optional)
- Electronic low water protection
- In-line Heater
- Chromatherapy-LED Lighting System.
- Chromatherapy-LED Mini Spotlights.
- Mood Light
- Grab Bars
- Back Masseur System
- Neck Masseur Pillow
- Hydro Fragrance
- Hydro Fusion
- Hydro Coat

Framing Dimensions



Tub Opening Dimensions

(L)enght	(W)idth	(H)eight
70"	38"	16 1/4"

