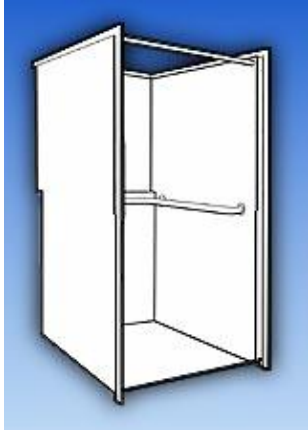




INSTITUTIONAL SERIES

HS 4452



Features:

Overall Dimensions Installed:

44" Wide x 52" Deep x 77" Height

Gel Coat finish

Flame spread rating of 200 or less

Smoke density rating of 450 or less per ASTM E84

Galvanized steel reinforced stiffeners

Extra reinforcing in all critical areas

Slip resistant floor

Built-in soap shelf

21" x 42" Satin finish stainless steel grab bar horizontally mounted

24" Satin finish stainless steel grab bar vertically mounted **folding wheelchair transfer**

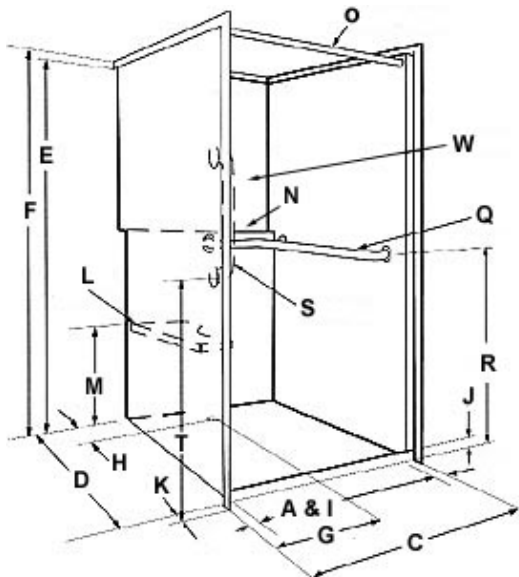
42" Satin finish stainless steel curtain rod installed

Drain is brass body, self-caulking with stainless steel strainer

Unit is packaged with cardboard on forklift pallet

Full LTL wooden shipping crate available as option

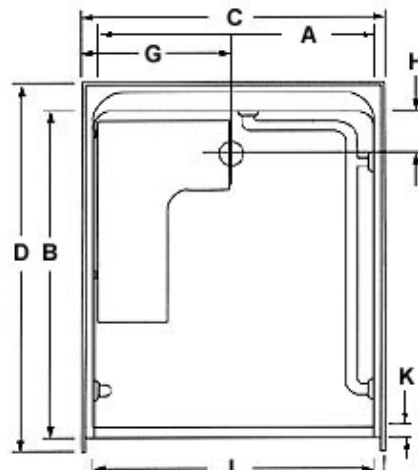
TITLE 24 compliant when equipped as shown and properly installed*



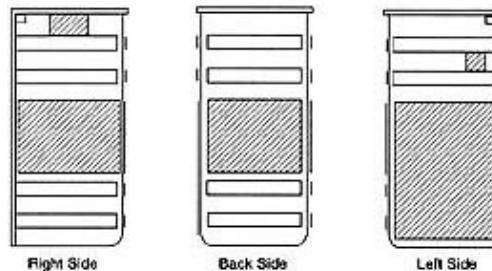
Right hand installation shown.

Right hand shower shown.

* Shower must be recessed 3" to meet TITLE 24 requirements



Galvanized steel and/or wood reinforcement will vary due to application of accessories



G* = from side wall

Model	A width	B depth	C width	D depth	E finish	F overall	G*	H*	I	J	K	L	M	N	O	P	Q
HS 4452 BF	42"	48"	44"	53"	77"	78"	22"	6"	42"	3"	1"	seat	18"	n/a	42"	n/a	21" x 42"
	R	S	T	U	V	W	X	Y	Z								
	34½"	n/a	n/a	n/a	n/a	wet wall	1"	n/a	n/a								

Standard Code Listings and Approvals

IAPMO/UPC - Uniform Plumbing Code - File 3307
ANSI-Z124.2 - Standard for Plastic Shower Units
ASTM F-446 - Grab Bars & Accessories
ASTM F-462 - Slip Resistance
ANSI-A117.1 Accessibility & Usability

Warranty

Hydro Systems producers are backed by our exclusive 5 year limited warranty.
(See [warranty](#) for complete details)

Suggested Mechanical Specifications

Hydro Systems **HS 4452 BF** [3" dam] shower with 5 year limited warranty, 44" Wide x 52" Deep x 77" High with folding wheelchair transfer seat conforming to Title 24 accessibility standard, 1" O.D. satin finish stainless steel curtain rod, 21"x42" satin finish stainless steel grab bar on wet wall and rear wall, center rear drain with rear sloping integrally molded slip resistant floor.

Units shall be molded of gel-coated fiberglass reinforced polyester resin.

Units shall meet or exceed physical and performance requirement for Type 2 gel-coated fixtures [of ANSI Z124.2 showers].

Standing/walking surfaces shall meet slip-resistance requirements of Consumer Safety Specification ASTM F-462, with static friction coefficient no less than 0.04.

Handicapped grab bars shall be nom. 1½" O.D. and support a minimum load of 250lbs. in accordance with the Consumer Safety Specification ASTM F-446 and ANSI A117.1 guidelines.

Units shall have a flame spread rating of 200 or less and a smoke density rating of 450 or less per ASTM E84.

Units shall bear or have affixed to them a molded manufacturer's logo and/or permanent label showing manufacturer's name and model number and the seal of the Uniform Plumbing Code and shall be accompanied by detailed installation recommendations.

Also affixed and for removal by the owner/occupant/user only, unit shall be equipped with user maintenance instructions and the full text of the limited warranty. As manufactured by Hydro Systems Inc. - Valencia, California.

All specifications subject to change without notice.

[Home](#) | [Designer](#) | [Builder](#) | [Shower Pans](#) | [Institutional](#) | [Options](#) | [FAQ](#) | [Install](#) | [Contacts](#) | [Site Map](#)

Hydro Systems Inc.

29132 Avenue Paine, Valencia, CA, 91355 | Tel: 661-775-0686 | Fax: 661-775-0668
sales@hydrosystem.com

© 2004 Hydro Systems. All Rights Reserved