



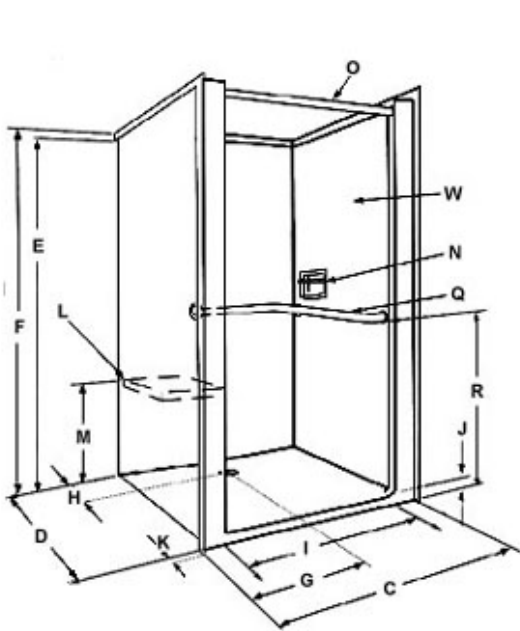
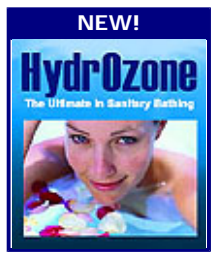
# INSTITUTIONAL SERIES

## HS 4236 BF

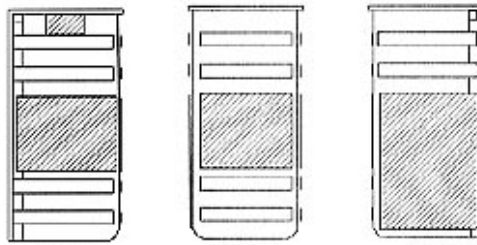
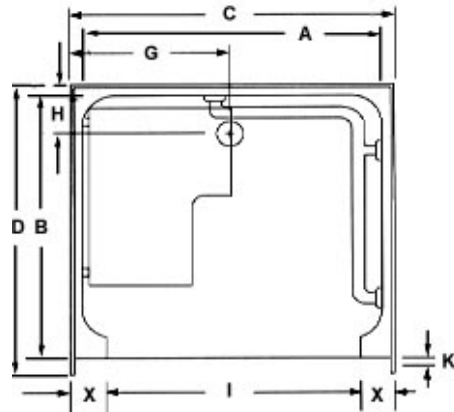


### Features

- Overall Dimensions Installed:**  
42"W x 36"D x 77" H
- Gel Coat Finish**
- Flame spread rating** of 200 or less
- Smoke density rating** of 450 or less per ASTM E84
- One soap dish**
- Galvanized steel reinforced stiffeners**
- Slip resistant floor**
- 24"x26" Satin finish stainless steel grab bar** horizontally mounted
- 36" Satin finish stainless steel curtain rod**, installed
- Folding wheelchair transfer seat**
- Drain is brass body**, self-caulking with stainless steel strainer
- Unit is packaged** in cardboard box on forklift pallet
- Full LTL wooden shipping crate** available as an option



Right hand shower shown



Galvanized steel and/or wood reinforcement will vary due to application of accessories

G\* = from side wall H\* = from back wall

Model	A width	B depth	C width	D depth	E finish	F overall	G*	H*	I	J	K	L	M	N	O	P	Q
HS 4236 BF	40"	35"	42"	37"	77"	78"	21"	6"	36"	2"	1"	seat	18"	1	36"	n/a	24"x26"
	R	S	T	U	V	W	X	Y	Z								
	34½"	n/a	n/a	n/a	n/a	wet wall	3"	n/a	n/a								

### Standard Code Listings and Approvals

ANSI-A117.1 Accessibility & Usability  
ANSI-Z124.2 - Standard for Plastic Shower Units  
ASTM F-446 - Grab Bars & Accessories  
ASTM F-462 - Slip Resistance

### Warranty

Hydro Systems producers are backed by our exclusive 5 year limited warranty.  
(See [warranty](#) for complete details)

### Suggested Mechanical Specifications

Hydro Systems **HS 4236 BF** [1½" threshold] shower with 5 year limited warranty, 42" Wide x 37" Deep x 77" High with folding wheelchair transfer seat conforming to ADA accessibility standard, 1" O.D. satin finish stainless steel curtain rod, 24"x26" satin finish stainless steel grab bar on wet wall and rear wall, one built in soap dish on wet wall, center rear drain with rear sloping integrally molded slip-resistant floor.

Units shall be molded of gel-coated fiberglass reinforced polyester resin.

Units shall meet or exceed physical and performance requirement for Type 2 gel-coated fixtures [of ANSI Z124.2 showers].

Standing/walking surfaces shall meet slip-resistance requirements of Consumer Safety Specification ASTM F-462, with static friction coefficient no less than 0.04.

Handicapped grab bars shall be nom. 1½" O.D. and support a minimum load of 250lbs. in accordance with the Consumer Safety Specification ASTM F-446 and ANSI A117.1 guidelines.

Units shall have a flame spread rating of 200 or less and a smoke density rating of 450 or less per ASTM E84.

Units shall bear or have a fixed to them a molded manufacturer's logo and/or permanent label showing manufacturer's name and model number and the seal of the Uniform Plumbing Code and shall be accompanied by detailed installation recommendations.

Also affixed and for removal by the owner/occupant/user only, unit shall be equipped with user maintenance instructions and the full text of the limited warranty. As manufactured by Hydro Systems Inc. - Valencia, California.

All specifications subject to change without notice.

[Home](#) | [Designer](#) | [Builder](#) | [Shower Pans](#) | [Institutional](#) | [Options](#) | [FAQ](#) | [Install](#) | [Contacts](#) | [Site Map](#)

#### Hydro Systems Inc.

29132 Avenue Paine, Valencia, CA, 91355 | Tel: 661-775-0686 | Fax: 661-775-0668  
[sales@hydrosystem.com](mailto:sales@hydrosystem.com)

© 2004 Hydro Systems. All Rights Reserved