



29132 Avenue Paine, Valencia, CA 91355  
 Phone (661) 775-0686 · Fax (661) 775-0668  
 www.hydrosystem.com  
 e-mail: hydro@hydrosystem.com

# Vanessa

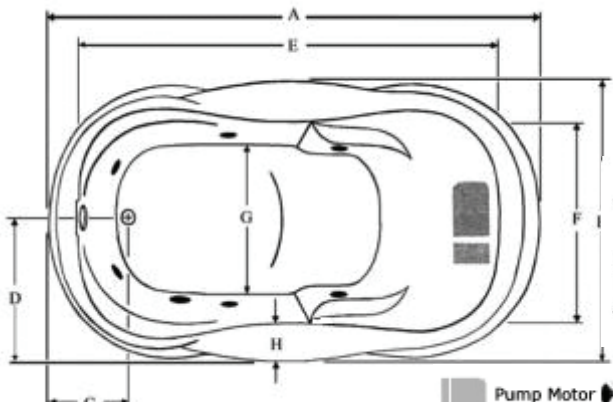
### Tub specific options



Tub must be set in Mortar Base

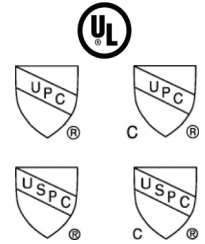
- Available as Tub only, Thermal Air, Whirlpool or Combo
- Microban antibacterial protection
- Extra high density fiberglass
- Custom jet & pump locations
- Plated metallic finish
- Additional directional jets
- Swirling, rotating, or jumbo jets
- Micro therapy jet
- 1½ HP variable speed pump (digital temperature display optional)
- Electronic low water protection
- Inline heater
- Chromatherapy LED lighting
- Chromatherapy Mini spotlights
- Moodlight
- Grab bars
- Back masseuse
- Neck masseuse pillow
- Hydro fragrance
- Hydro fusion

## Approvals



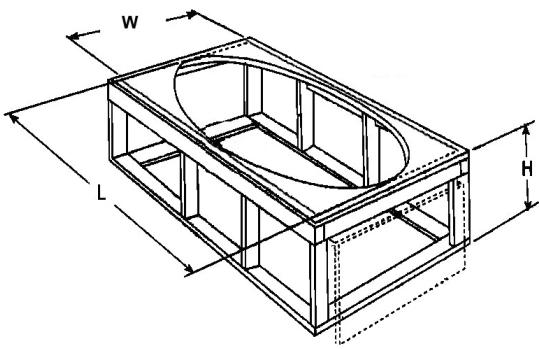
### Approvals

Commonwealth of Massachusetts  
 UPC & USPC  
 US & Canada



Model	GC	AC	A	B	C	D	E	F	G	H	I	J	K	L	M	N	Jets	Pump H.P.	Water Cap.
7242	N/A	√	72½"	42"	8½"	21"	62½"	29½"	22"	6"	44"	21"	2"	2½"	17"	23"	6	2.25	70 gal.
Amps			Volts			Breaker			Dedicated Service										
13.5			120			20 amp			GFCI Protected										

## Framing Dimension



### Island Drop-In

Model	(L)enght	(W)idth	(H)eight Finish
7242	70"	40"	18"

**Disclaimer:** Certain options or altering the pump/blower location may cause the pump/blower to extend beyond the tub decking. For cutout dimensions wait for unit to arrive. All specifications subject to change without notice.