



29132 Avenue Paine, Valencia, CA 91355
 Phone (661) 775-0686 · Fax (661) 775-0668
 www.hydrosystem.com
 e-mail: hydro@hydrosystem.com

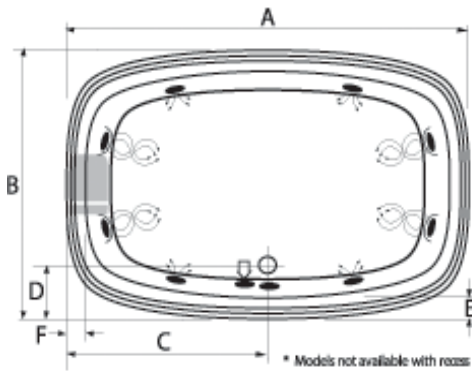
Sylvia



Tub must be set in Mortar Base

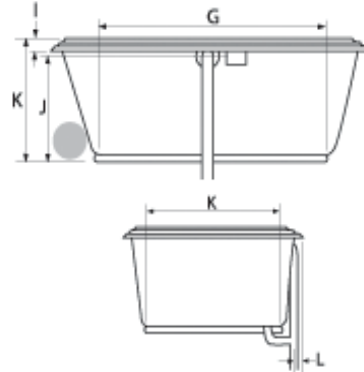
Tub specific options

- Available as Tub only, Thermal Air, Whirlpool or Combo
- Microban antibacterial protection
- Extra high density fiberglass
- Custom jet & pump locations
- Plated metallic finish
- Additional directional jets
- Swirling, rotating, or jumbo jets
- Micro therapy jet
- 1½ HP variable speed pump (digital temperature display optional)
- Electronic low water protection
- Inline heater
- Chromatherapy LED lighting
- Chromatherapy Mini spotlights
- Moodlight
- Grab bars
- Back masseuse
- Neck masseuse pillow
- Hydro fragrance
- Hydro fusion
- Hydro coat
- Hydro express



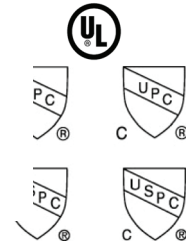
* Models not available with recess: 6038, 6638

■ Pump Motor ● Jets □ Anti-vortex suction ● Overflow location



Approvals

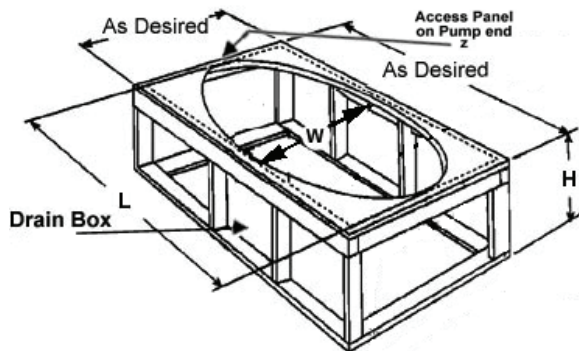
Commonwealth of Massachusetts
 UPC & USPC
 US & Canada



Model	GC	AC	A	B	C	D	E	F	G	H	I	J	K	L	Jets	Pump	Water Cap.
6038	N/A	✓	60"	38"	30"	8"	3½"	3½"	41"	22"	2½"	20½"	27"	2"	6	2.25	80 gal.
6638	N/A	✓	66"	38"	33"	8"	3½"	3½"	47"	22"	2½"	20½"	27"	2"	8	2.25	85 gal.
6642	N/A	✓	66"	42"	33"	8"	3"	3¼"	47"	24"	2½"	20½"	31"	2"	4Std/4 Jumbo	2.25	95 gal.

Amps	Volts	Breaker	Dedicated Service
13.5	120	20 amp	GFCI Protected

Framing Dimension



Island Drop-In

Model	(L)enght	(W)idth	(H)eight Finish
6038	58"	36"	21"
6638	64"	36"	21"
6642	64"	40"	21"

Disclaimer: Certain options or altering the pump/blower location may cause the pump/blower to extend beyond the tub decking.
 For cutout dimensions wait for unit to arrive.
 All specifications subject to change without notice.