



29132 Avenue Paine, Valencia, CA 91355
 Phone (661) 775-0686 · Fax (661) 775-0668
 www.hydrosystem.com
 e-mail: hydro@hydrosystem.com

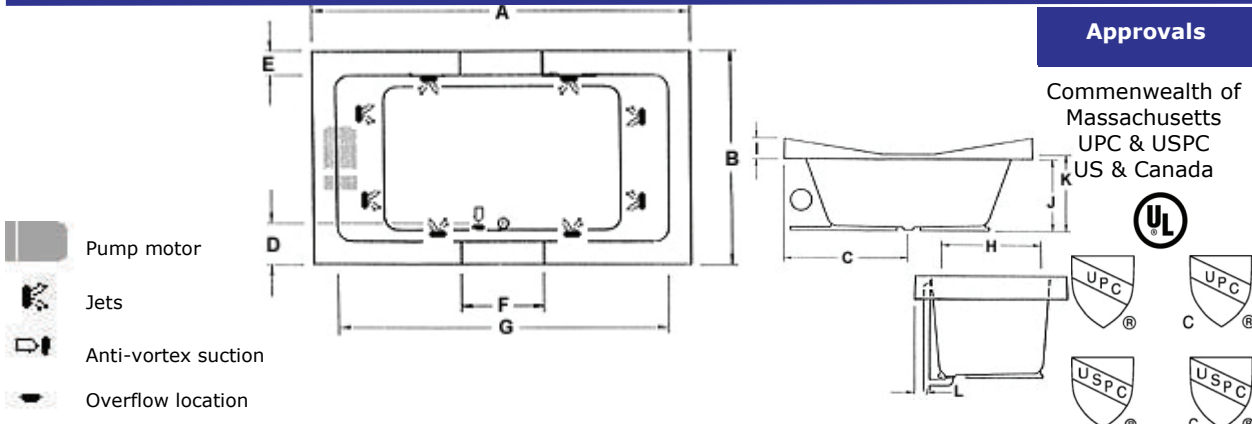
Danika



Tub must be set in Mortar Base

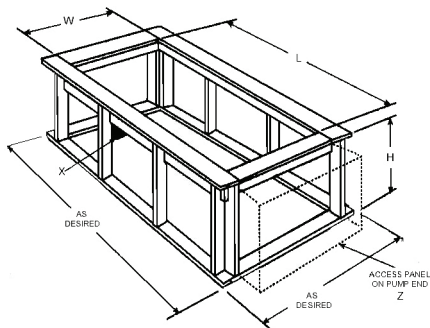
Tub specific options

- | | |
|--|---------------------------------|
| Available as Tub only, Thermal Air, Whirlpool or Combo | Electronic low water protection |
| Microban antibacterial protection | Inline heater |
| Extra high density fiberglass | Chromatherapy LED lighting |
| Flange—molded | Chromatherapy Mini spotlights |
| Flange—galvanized | Moodlight |
| Skirt | Grab bars |
| Custom jet & pump locations | Back masseuse |
| Plated metallic finish | Neck masseuse pillow |
| Additional directional jets | Hydro fragrance |
| Swirling, rotating, or jumbo jets | Hydro fusion |
| Micro therapy jet | Hydro coat |
| 1½ HP variable speed pump (digital temperature display optional) | Hydro express |



Model	GC	A	A	B	C	D	E	F	G	H	I	J	K	i	Jets	Pump	Water Cap.
7341	N/A	√	73"	41"	36½"	8"	4½"	16"	64"	28"	6"	20¾"	22"	3½"	8	2.25	95 gal.
Amps		Volts		Breaker		Dedicated Service											
13.5		120		20 amp		GFCI Protected											

Framing Dimension



Island Drop-In		
(L)enght	(W)idth	(H)eight Finish
71"	39"	21¾"

Disclaimer—For cutout dimensions wait for unit to arrive.
 All Specifications subject to change without notice