



Hydro Systems, Inc.
 29132 Avenue Paine, Valencia, CA 91355
 Phone (661) 775-0686 · Fax (661) 775-0668
 www.hydrossystem.com
 e-mail: hydro@hydrossystem.com

Walk-In



Tub specific options

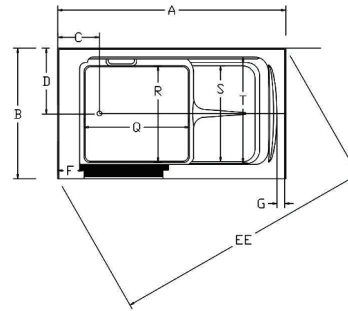
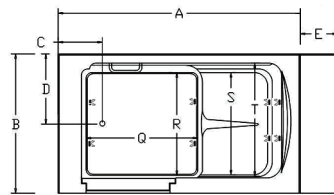
Available as Tub only, Thermal Back masseuse
 Air, Whirlpool or Combo (eliminates 4 jets)
 Extra high density fiberglass Hydro fusion
 Plated metallic finish Hydro coat
 Electronic low water protection
 Inline heater
 Chromotherapy LED lighting
 Moodlight

Tub shown with 8" extension panel/must specify front or rear panel at time of order.

Approvals

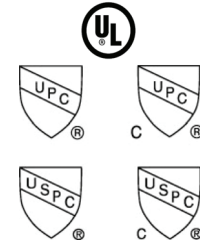


- Pump motor
- Jets
- Anti-vortex suction
- Overflow location



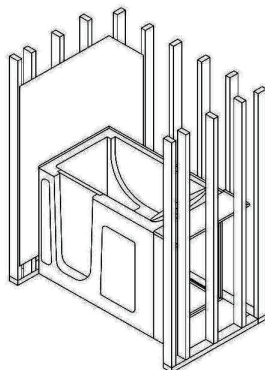
Approvals

Commonwealth of Massachusetts
 UPC & USPC
 US & Canada



Model	GC	AC	A	B	C	D	E	F	G	H	I	J	K	L	M	N	O	P	Q	
5230	√	n/a	52"	29¾"	9½"	15"	8"	5⅞"	1¾"	40"	¾"	6"	52"	8"	15"	18"	19¾"	17"	24"	
			R	S	T	U	V	W	X	Y	Z	AA	BB	CC	EE	Jets	Pump	Water		
			22"	22"	24¼"	17"	19½"	3½"	19½"	17"	1¾"	n/a	n/a	n/a	59⅞"	8	2.25	79 gal.		
Amps			Volts			Breaker			Dedicated Service											
13.5			120			20 amp			GFCI Protected											

Framing Dimension



3 Wall Enclosure			
Model	(L)enght	(W)idth	(H)eight Finish
5230	60" with extension panel	30"	40"
5230	52" without extension panel	29¾"	40"

Disclaimer: Certain options or altering the pump/blower location may cause the pump/blower to extend beyond the decking.
 All specifications subject to change without notice.