



29132 Avenue Paine, Valencia, CA 91355
 Phone (661) 775-0686 · Fax (661) 775-0668
 www.hydrosystem.com
 e-mail: hydro@hydrosystem.com

Lorraine

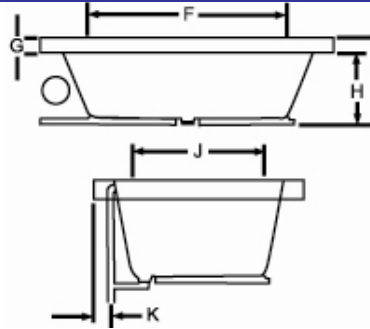
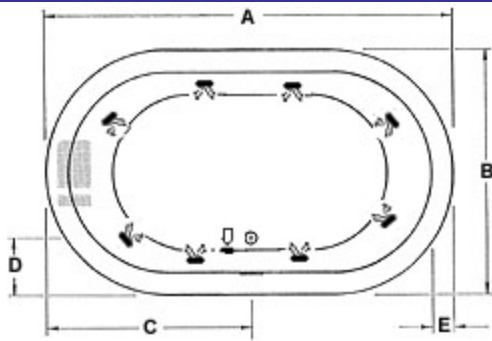


Tub must be set in Mortar Base

Tub specific options

- | | |
|--|---------------------------------|
| Available as Tub only, Thermal Air, Whirlpool or Combo | Electronic low water protection |
| Microban antibacterial protection | In-line heater |
| Extra high density fiberglass | Chromatherapy LED lighting |
| Flange—molded | Chromatherapy Mini spotlights |
| Flange—galvanized | Moodlight |
| Custom jet & pump locations | Grab bars |
| Plated metallic finish | Back masseuse |
| Additional directional jets | Neck masseuse pillow |
| Swirling, rotating, or jumbo jets | Hydro fragrance |
| Micro therapy jet | Hydro fusion |
| 1½ HP variable speed pump | Hydro coat |
| (digital temperature display optional) | Hydro express |

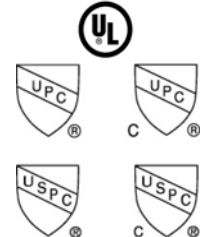
Technical Diagrams and Approvals



Pump Motor
 Jets
 Anti-vortex suction
 Overflow location

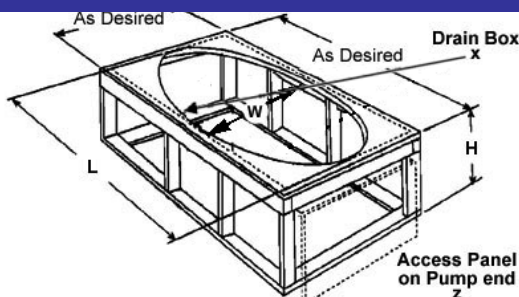
Approvals

Commonwealth of Massachusetts
 UPC & USPC
 US & Canada



Model	GC	AC	A	B	C	D	E	F	G	H	I	J	K	Jets	Pump	Water Cap.
6042-I	N/A	√	60"	42"	30"	10"	4"	36"	1"	21"	22"	26"	3½"	8	2.25	70 gal.
6042-II									2"							
6042-III									3"							
6042-IV									4"							
7444-1	N/A	√	74"	44"	37"	10"	4"	50"	1"	21"	22"	28"	3½"	8	2.25	90 gal.
7444-II									2"							
7444-III									3"							
7444-IV									4"							
Amps			Volts			Breaker			Dedicated Service							
13.5			120			20 amp			GFCI Protected							

Framing Dimension



Disclaimer: Certain options or altering the pump/blower location may cause the pump/blower to extend beyond the tub decking.
 For cutout dimensions wait for unit to arrive.
 All specifications subject to change without notice.

Tub Opening Dimensions

Model	(L)enght	(W)idth	(H)eight Finish
6042-I	58"	40"	22"
6042-II	58"	40"	21"
6042-III	58"	40"	20"
6042-IV	58"	40"	19"
7444-I	72"	42"	22"
7444-II	72"	42"	21"
7444-III	72"	42"	20"
7444-IV	72"	42"	19"