



29132 Avenue Paine, Valencia, CA 91355
 Phone (661) 775-0686 · Fax (661) 775-0668
 www.hydrosystem.com
 e-mail: hydro@hydrosystem.com

Katarina

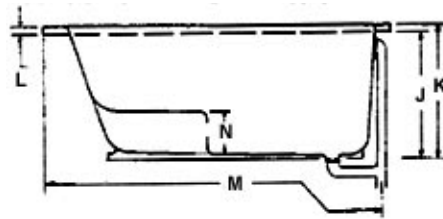
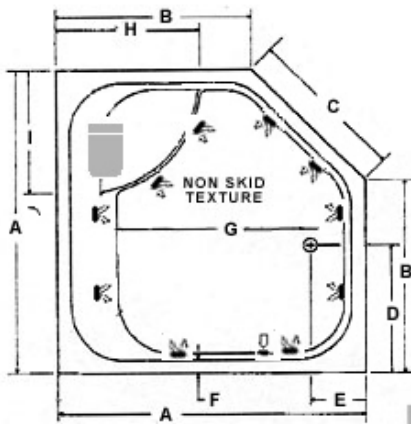


Tub must be set in Mortar Base

Tube specific options

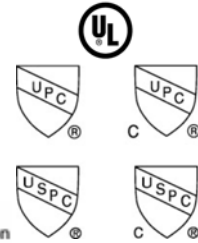
- | | |
|--|-------------------------------|
| Available as Tub only, Thermal Air, Whirlpool or Combo | Chromatherapy LED lighting |
| Microban antibacterial protection | Chromatherapy Mini spotlights |
| Extra high density fiberglass | Moodlight |
| Flange—galvanized | Grab bars |
| Custom jet & pump locations | Back masseuse |
| Plated metallic finish | Neck masseuse pillow |
| Additional directional jets | Hydro fragrance |
| Swirling, rotating, or jumbo jets | Hydro fusion |
| Micro therapy jet | Hydro coat |
| 1½ HP variable speed pump (digital temperature display optional) | Hydro express |
| Electronic low water protection | |
| Inline heater | |

Approvals



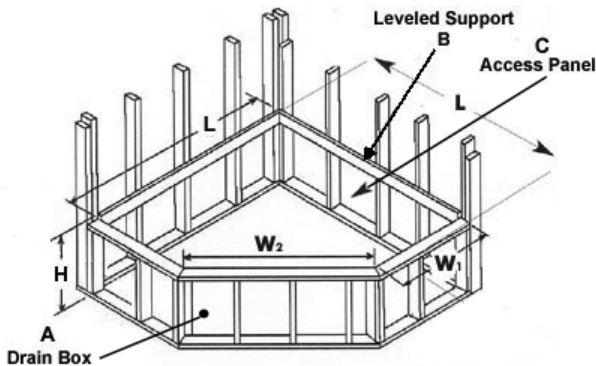
Approvals

Commonwealth of Massachusetts
 UPC & USPC
 US & Canada



| Model | GC | AC | A | B | C | D | E | F | G | H | I | J | K | L | M | N | Jets | Pump |
|-------|-----|----|-------|-----|-----|---------|-----|----|-------------------|-----|-----|------|-----|-----|------------|----|------|------|
| 6969 | N/A | √ | 69" | 44" | 35" | 32" | 12" | 3" | 51" | 32" | 28" | 24¼" | 26" | 1¾" | 67" | 9" | 8 | 2.25 |
| Amps | | | Volts | | | Breaker | | | Dedicated Service | | | | | | Water Cap. | | | |
| 13.5 | | | 120 | | | 20 amp | | | GFCI Protected | | | | | | 295 gal. | | | |

Framing Dimension



Tub Opening Dimensions

| (L)enght | (W)idth (1) | (W)idth (2) | (H)eight Finish |
|----------|-------------|-------------|-----------------|
| 67" | 42¼" | 34¾" | 25¼" |

Disclaimer: Certain options or altering the pump/blower location may cause the pump/blower to extend beyond the tub decking.
 For cutout dimensions wait for unit to arrive.
 All specifications subject to change without notice.