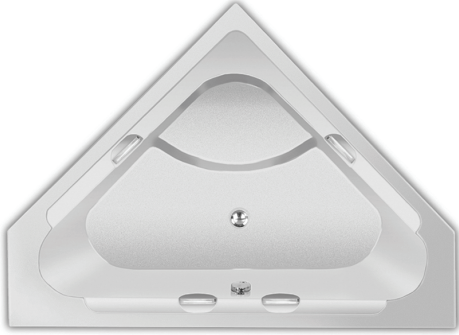


29132 Avenue Paine, Valencia, CA 91355  
 Phone (661) 775-0686 · Fax (661) 775-0668  
 www.hydrosystem.com  
 e-mail: hydro@hydrosystem.com

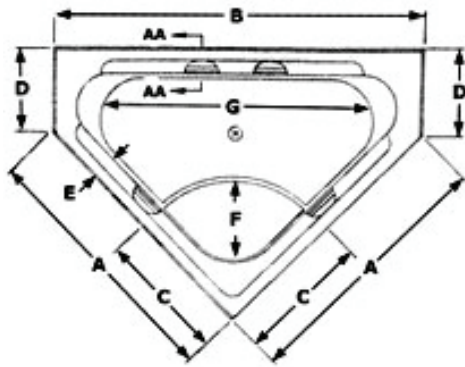
## Whitney



Tub must be set in Mortar Base

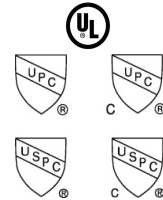
### Tub specific options

Available as Tub only, Thermal Air, Whirlpool or Combo	Electronic low water protection
Microban antibacterial protection	Inline heater
Extra high density fiberglass	Chromatherapy LED lighting
Custom jet & pump locations	Chromatherapy LED Mini spot-lights
Plated metallic finish	Moodlight
Additional directional jets	Grab bars
Swirling, rotating, or jumbo jets	Back masseuse
Micro therapy jet	Neck masseuse pillow
Integral waste & overflow	Hydro fragrance
1½ HP variable speed pump	Hydro fusion
(digital temperature display optional)	Hydro coat
	Hydro express



### Approvals

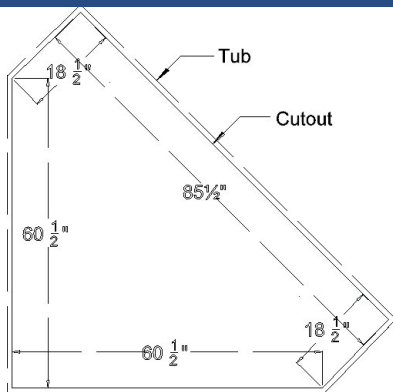
Commonwealth of Massachusetts  
 UPC & USPC  
 US & Canada



■ Pump Motor    ● Jets    □ Anti-vortex suction    ● Overflow location

Model	GC	AC	A	B	C	D	E	F	G	H	I	J	Jets	Pump	Water
6262	N/A	√	62"	87"	30"	20"	3"	17"	62"	21"	11"	1¾"	6	2.25	75 gal.
<b>Amps</b>			<b>Volts</b>			<b>Breaker</b>			<b>Dedicated Service</b>						
13.5			120			20 amp			GFCI Protected						

### Framing Dimension



WHITNEY framing dimensions

### Island Drop-In

(L)enght	(W)idth 1	(W)idth 2	(H)eight Finish
60½"	18½"	85½"	21¾"

Disclaimer: Certain options or altering the pump/blower location may cause the pump/blower to extend beyond the tub decking.  
 For cutout dimensions wait for unit to arrive.  
 All specifications subject to change without notice.