



29132 Avenue Paine, Valencia, CA 91355
 Phone (661) 775-0686 · Fax (661) 775-0668
 www.hydrosystem.com
 e-mail: hydro@hydrosystem.com

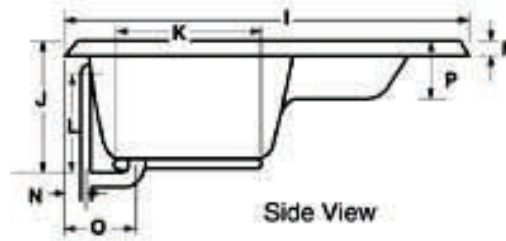
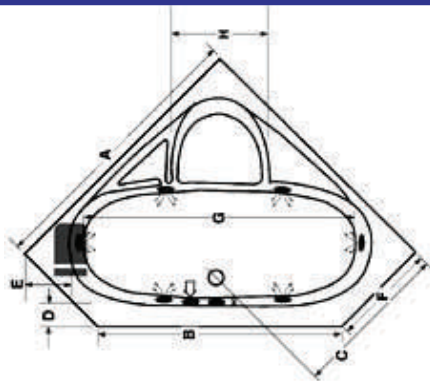
Rincon



Tub must be set in Mortar Base

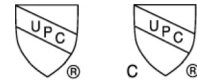
Tube specific options

- | | |
|--|--|
| Available as Tub only, Thermal Air, Whirlpool or Combo | (digital temperature display optional) |
| Microban antibacterial protection | Electronic low water protection |
| Extra high density fiberglass | Inline heater |
| Flange—molded | Chromatherapy LED lighting |
| Flange—galvanized | Chromatherapy Mini spotlights |
| Waterfall spout (recirculating option available) | Moodlight |
| Custom jet & pump locations | Grab bars |
| Plated metallic finish | Back masseuse |
| Additional directional jets | Neck masseuse pillow |
| Swirling, rotating, or jumbo jets | Hydro fragrance |
| Micro therapy jet | Hydro fusion |
| 1½ HP variable speed pump | Hydro coat |
| | Hydro express |



Approvals

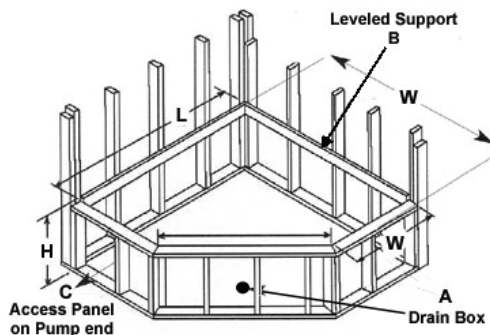
Commonwealth of Massachusetts
 UPC & USPC
 US & Canada



■ Pump Motor ● Jets □ Anti-vortex suction ● Overflow location

Model	GC	AC	A	B	C	D	E	F	G	H	I	J	K	L	M	N	O	P
5959	√	N/A	59"	52½"	34"	4½"	10"	21¾"	50½"	24"	56¾"	18"	23½"	14¼"	1¾"	2¾"	9¾"	11"
Amps		Breaker		Dedicated Service								Jets		Pump		Water Cap.		
13.5		20 amp		GFCI Protected								6		2.25		57 gal.		
5959	N/A	√	59¼"	53"	34½"	4"	10"	21¾"	51½"	24"	57"	21"	24"	17½"	1¾"	2¾"	9¾"	11"
Amps		Breaker		Dedicated Service								Jets		Pump		Water Cap.		
13.5		20 amp		GFCI Protected								6		2.25		65 gal.		

Framing Dimension



Island Drop-In

Model	(L)enght	(W)idth	(H)eight Finish
5959 GC	59½"	59½"	20¼"
5959 AC	59½"	59½"	20¼"

Disclaimer: Certain options or altering the pump/blower location may cause the pump/blower to extend beyond the tub decking. For cutout dimensions wait for unit to arrive. All specifications subject to change without notice.

