



29132 Avenue Paine, Valencia, CA 91355
 Phone (661) 775-0686 · Fax (661) 775-0668
 www.hydrosystem.com
 e-mail: hydro@hydrosystem.com

Riley

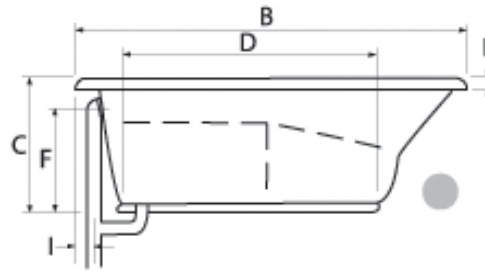
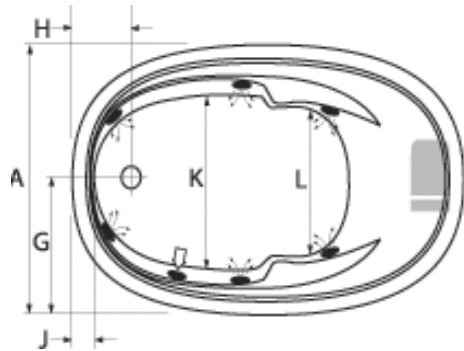


Tub must be set in Mortar Base

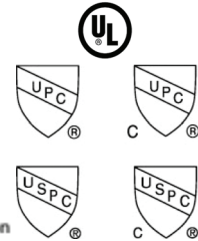
Tube specific options

- | | |
|--|--|
| Available as Tub only, Thermal Air, Whirlpool or Combo | (digital temperature display optional) |
| Microban antibacterial protection | Electronic low water protection |
| Extra high density fiberglass | Inline heater |
| Waterfall fill spout (recirculating option available) | Chromatherapy LED lighting |
| Custom jet & pump locations | Chromatherapy Mini spotlights |
| Plated metallic finish | Moodlight |
| Additional directional jets | Grab bars |
| Swirling, rotating, or jumbo jets | Back masseuse |
| Micro therapy jet | Neck masseuse pillow |
| 1½ HP variable speed pump | Hydro fusion |
| | Hydro coat |

Approvals



Commonwealth of Massachusetts
 UPC & USPC
 US & Canada

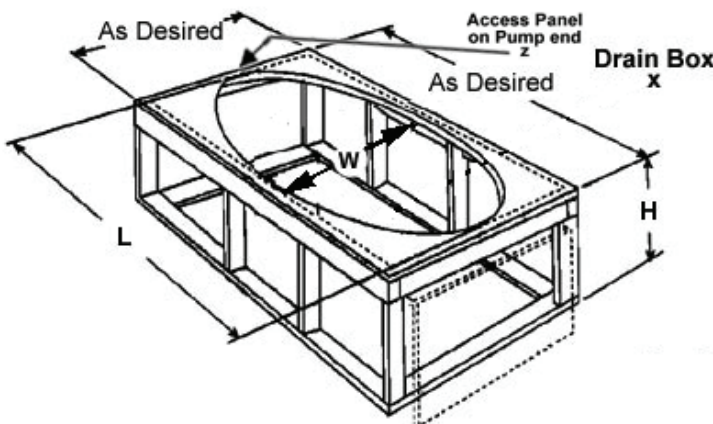


■ Pump Motor ● Jets ◻ Anti-vortex suction ● Overflow location

| Model | GC | AC | A | B | C | D | E | F | G | H | I | J | K | L | Jet | Pum | Water |
|-------|-----|----|------|-----|------|------|-----|------|------|-----|----|-----|-----|-----|-----|------|---------|
| 6042 | N/A | √ | 41½" | 60" | 20" | 39" | 1¾" | 16½" | 20¾" | 11" | 3" | 4½" | 26" | 22" | 6 | 2.25 | 80 gal. |
| 6642 | N/A | √ | 41½" | 66" | 20½" | 44½" | 1¾" | 16½" | 20¾" | 11" | 3" | 4½" | 26" | 22" | 6 | 2.25 | 85 gal. |
| 7242 | N/A | √ | 41½" | 72" | 20½" | 50" | 1¾" | 16½" | 20¾" | 11" | 3" | 4½" | 26" | 22" | 6 | 2.25 | 90 gal. |

| Amps | Volts | Breaker | Dedicated Service |
|------|-------|---------|-------------------|
| 13.5 | 120 | 20 amp | GFCI Protected |

Framing Dimension



| Island Drop-In | | | |
|----------------|----------|---------|-----------------|
| Model | (L)enght | (W)idth | (H)eight Finish |
| 6042 | 58" | 40" | 19¾" |
| 6642 | 64" | 40" | 19¾" |
| 7242 | 70" | 40" | 19¾" |

Disclaimer: Certain options or altering the pump/blower location may cause the pump/blower to extend beyond the tub decking.
 For cutout dimensions wait for unit to arrive.
 All specifications subject to change without notice.