



29132 Avenue Paine, Valencia, CA 91355
 Phone (661) 775-0686 · Fax (661) 775-0668
 www.hydrosystem.com
 e-mail: hydro@hydrosystem.com

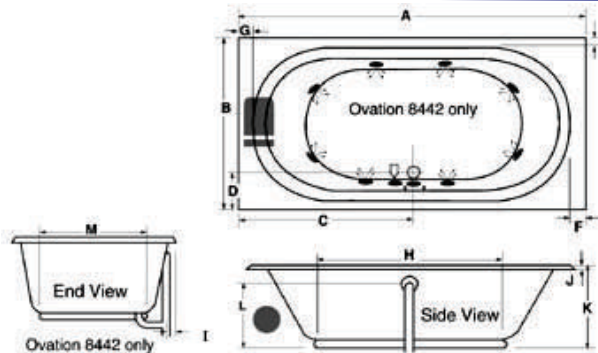
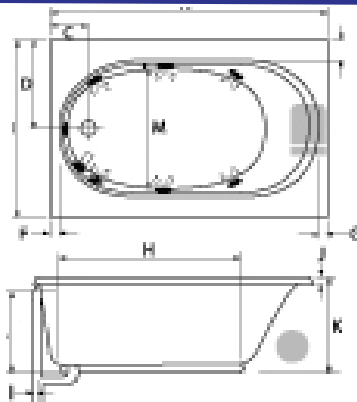
Ovation



Tub must be set in Mortar Base

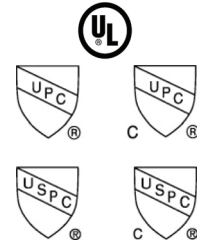
Tub specific options

- Available as Tub only, Thermal Air, Whirlpool or Combo
- Microban antibacterial protection
- Extra high density fiberglass
- Flange—galvanized
- Waterfall spout (Acrylic only)
- Custom jet & pump locations
- Plated metallic finish
- Additional directional jets
- Swirling, rotating, or jumbo jets
- Micro therapy jet
- 1½ HP variable speed pump (digital temperature display optional)
- Electronic low water protection
- Inline heater
- Chromatherapy LED lighting
- Chromatherapy Mini spotlights
- Moodlight
- Grab bars
- Back masseuse
- Neck masseuse pillow
- Hydro fragrance
- Hydro fusion
- Hydro coat
- Hydro express



Approvals

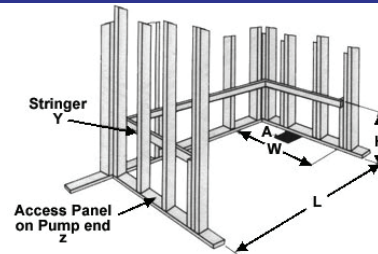
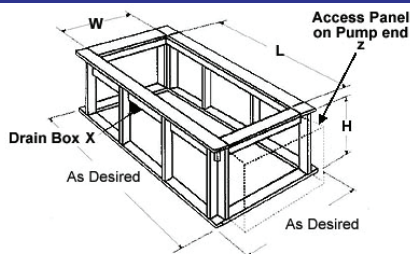
Commonwealth of Massachusetts
 UPC & USPC
 US & Canada



Model	GC	AC	A	B	C	D	E	F	G	H	I	J	K	L	M	Jets	Pump	Water.
6042	√	√	60"	42"	8½"	21"	5"	2"	2½"	39"	1¼"	1¾"	20¼"	17½"	29"	6	2.25	45 gal.
6642	√	√	66"	42"	8¼"	21"	5"	2"	2"	45"	1¼"	1½"	20½"	17½"	29"	6	2.25	60 gal.
7242	√	√	71½"	42½"	10½"	21"	5"	4"	3"	48"	3½"	1½"	20½"	17½"	29"	6	2.25	70 gal.
8442	√	n/a	83½"	42½"	41¾"	8¾"	2"	4"	4"	51"	3¼"	1¼"	20¾"	17½"	29"	8	2.25	80 gal.

Amps	Volts	Breaker	Dedicated Service
13.5	120	20 amp	GFCI Protected

Framing Dimension



Model	Island Drop-In			3 Wall Installation			
	(L)enght	(W)idth	(H)eight Finish	(L)enght	(W)idth	(H)eight Metal Flange	Ledger Molded Flange
6042	58"	40"	19½"	60"	42"	19½"	21"
6642	64"	40"	20"	66"	42"	20"	21½"
7242	70"	40"	20"	72"	42"	20"	22½"
8442	82"	40"	20½"	84"	42"	20½"	N/A

Disclaimer: Certain options or altering the pump/blower location may cause the pump/blower to extend beyond the tub decking. For cutout dimensions wait for unit to arrive. • All specifications subject to change without notice.