



Hydro Systems, Inc.
 29132 Avenue Paine, Valencia, CA 91355
 Phone (661) 775-0686 · Fax (661) 775-0668
 www.hydrosystem.com
 e-mail: hydro@hydrosystem.com

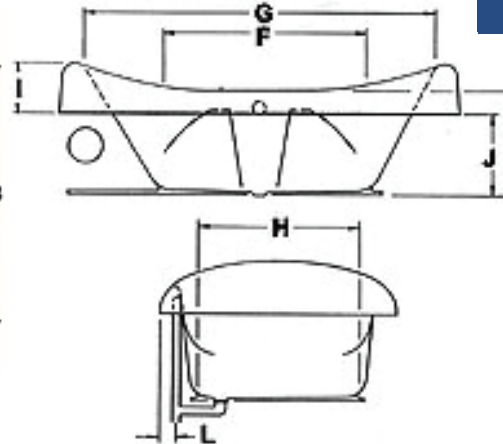
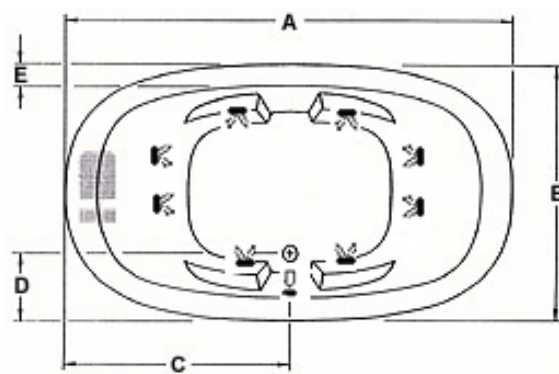
Natalie

Tub specific options



Tub must be set in Mortar Base

- Available as Tub only, Thermal Air, Whirlpool or Combo
- Microban antibacterial protection
- Extra high density fiberglass
- Custom jet & pump locations
- Plated metallic finish
- Additional directional jets
- Swirling, rotating, or jumbo jets
- Micro therapy jet
- Integral waste & overflow
- 1½ HP variable speed pump (digital temperature display optional)
- Electronic low water protection
- In-line heater
- Chromatherapy LED lighting
- Chromatherapy LED Mini spot-lights
- Moodlight
- Grab bars
- Back masseuse
- Neck masseuse pillow
- Hydro fusion
- Hydro coat
- Hydro express



Approvals

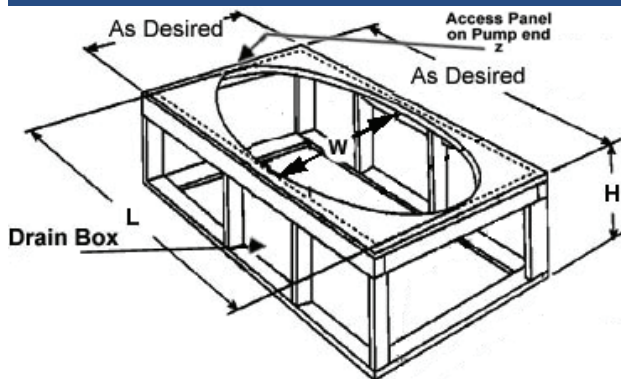
Commonwealth of Massachusetts
 UPC & USPC
 US & Canada



Pump Motor
 Jets
 Anti-vortex suction
 Overflow location

Model	GC	AC	A	B	C	D	E	F	G	H	I	J	K	L	Jets	Pump
7844	N/A	√	78"	44"	39"	11½"	3½"	40"	68"	33"	10"	18"	24"	3½"	8	2.25
Amps			Volts			Breaker			Dedicated Service					Water		
13.5			120			20 amp			GFCI Protected					105 gal.		

Framing Dimension



Island Drop-In

(L)ength	(W)idth	(H)eight Finish
76"	42"	19"

Disclaimer: Certain options or altering the pump/blower location may cause the pump/blower to extend beyond the tub decking. For cutout dimensions wait for unit to arrive. All specifications subject to change without notice.