



Hydro Systems, Inc.
 29132 Avenue Paine, Valencia, CA 91355
 Phone (661) 775-0686 · Fax (661) 775-0668
 www.hydrosystem.com
 e-mail: hydro@hydrosystem.com

Elle

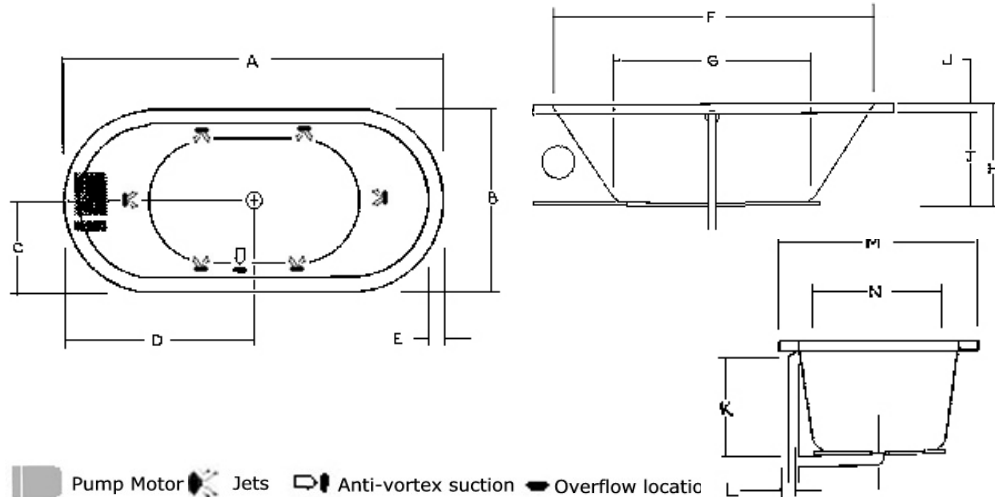


Tub must be set in Mortar Base

Tub specific options

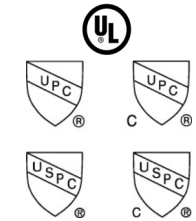
- | | |
|--|------------------------------------|
| Available as Tub only, Thermal Air, Whirlpool or Combo | Electronic low water protection |
| Microban antibacterial protection | Inline heater |
| Extra high density fiberglass | Chromatherapy LED lighting |
| Custom jet & pump locations | Chromatherapy LED Mini spot-lights |
| Plated metallic finish | Moodlight |
| Additional directional jets | Grab bars |
| Swirling, rotating, or jumbo jets | Back masseuse |
| Micro therapy jet | Neck masseuse pillow |
| Integral waste & overall | Hydro fusion |
| 1½ HP variable speed pump | Hydro coat |
| (digital temperature display optional) | Hydro express |

Technical Drawings & Approvals



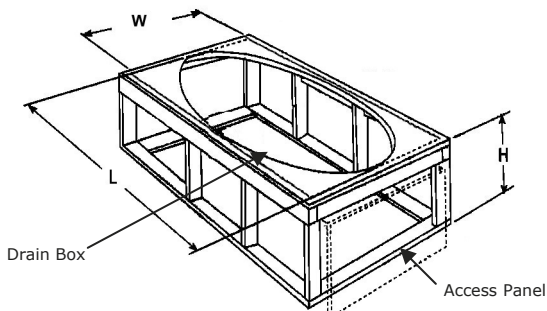
Approvals

Commonwealth of Massachusetts
 UPC & USPC
 US & Canada



Model	GC	AC	A	B	C	D	E	F	G	H	I	J	L	K	M	N	Jets	Pump	Water
6632	N/A	√	66"	32"	16"	33"	3"	60"	36"	19"	17¼"	1¾"	2¼"	16½"	26"	21"	6	2.25	85 gal.
7236	N/A	√	72"	36"	18"	36"	3"	66"	42"	19"	17¼"	1¾"	2¼"	16½"	30"	25"	6	2.25	92 gal.
Amps			Volts			Breaker			Dedicated Service										
13.5			120			20 amp			GFCI Protected										

Framing Dimension



Island Drop-In			
Model	(L)ength	(W)idth	(H)eight Finish
6632	64"	30"	19¾"
7236	70"	34"	19¾"

Disclaimer: Certain options or altering the pump/blower location may cause the pump/blower to extend beyond the tub decking. For cutout dimensions wait for unit to arrive. All specifications subject to change without notice.