



Hydro Systems, Inc.  
 29132 Avenue Paine, Valencia, CA 91355  
 Phone (661) 775-0686 · Fax (661) 775-0668  
 www.hydrossystem.com  
 e-mail: hydro@hydrossystem.com

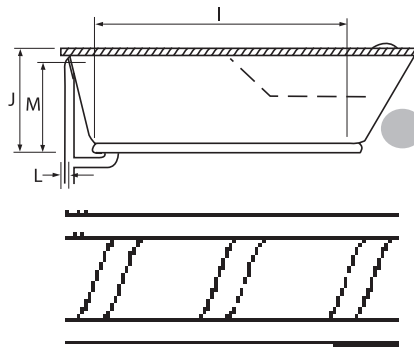
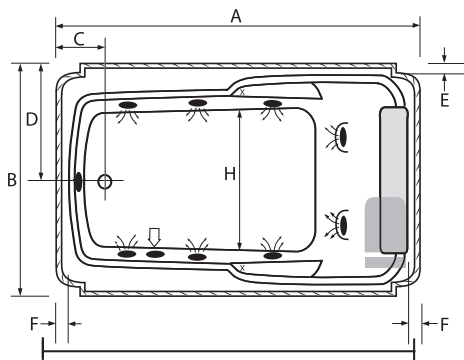
## Atlantia

### Tub specific options



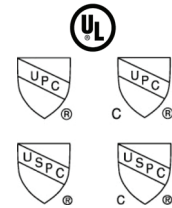
Tub must be set in Mortar Base

- |  |                                    |
|--|------------------------------------|
| Available as Tub only, Thermal Air, Whirlpool or Combo | Electronic low water protection    |
| Microban antibacterial protection                      | Inline heater                      |
| Extra high density fiberglass                          | Chromatherapy LED lighting         |
| Custom jet & pump locations                            | Chromatherapy LED Mini spot-lights |
| Plated metallic finish                                 | Moodlight                          |
| Additional directional jets                            | Grab bars                          |
| Swirling, rotating, or jumbo jets                      | Back masseuse                      |
| Micro therapy jet                                      | Neck masseuse pillow               |
| Integral waste & overflow                              | Hydro fragrance                    |
| 1½ HP variable speed pump                              | Hydro fusion                       |
| (digital temperature display optional)                 | Hydro coat                         |
|  | Hydro express                      |



### Approvals

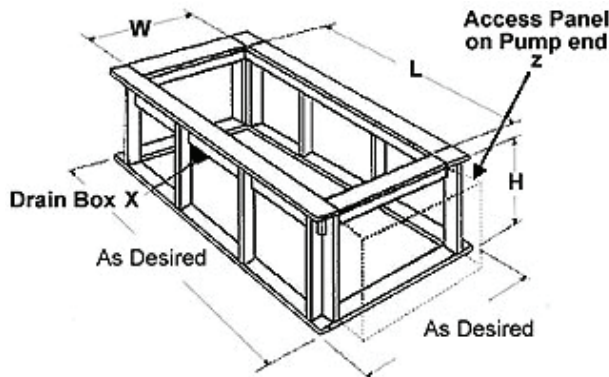
Commonwealth of Massachusetts  
 UPC & USPC  
 US & Canada



Pump Motor Jets Anti-vortex suction Overflow location

Model	GC	AC	A	B	C	D	E	F	G	H	I	J	K	L	M	Jets	Pump	Water
7448	N/A	√	74"	48"	9"	24"	1¾"	3½"	3½"	32"	53"	21"	1¾"	2¾"	18½"	6Std/ 2 Swirl'g	2.25	95 gal.
<b>Amps</b>			<b>Volts</b>			<b>Breaker</b>			<b>Dedicated Service</b>									
13.5			120			20 amp			GFCI Protected									

### Framing Dimension



### Island Drop-In

(L)enght	(W)idth	(H)eight Finish
72"	46"	20¼"

Disclaimer: Certain options or altering the pump/blower location may cause the pump/blower to extend beyond the tub decking.  
 For cutout dimensions wait for unit to arrive.  
 All specifications subject to change without notice.