



29132 Avenue Paine, Valencia, CA 91355
 Phone (661) 775-0686 · Fax (661) 775-0668
 www.hydrosystem.com
 e-mail: hydro@hydrosystem.com

Builder Oval



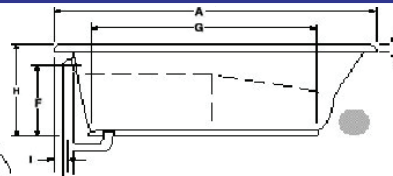
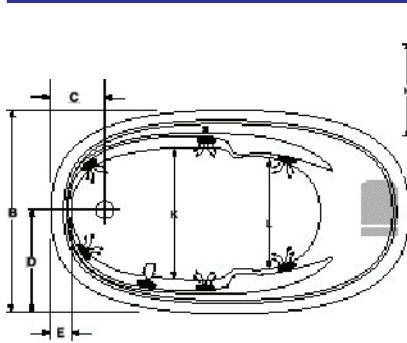
Tub Must be set in Mortar Base

Model Feature

- White/Almond/Bone/Natural
- Acrylic/Fiberglass Bathtub
- Integral wood base
- 6 directional jets
- Air switch
- Silent air induction
- Suction cover
- 1¼ hp UL listed pump, mounted
- Sturdy cardboard box or wooden crate

Optional Equipment

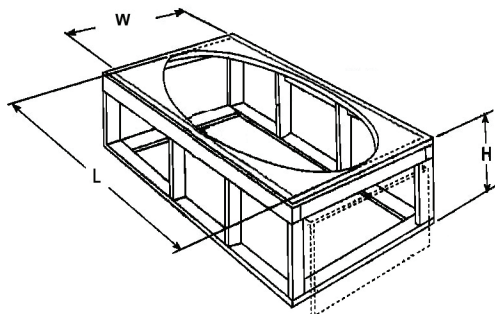
- Waste & overflow
Polished chrome
Polished brass
- System trim
Polished Chrome
Polished Brass



Electrical Components	Electrical Requirements
Whirlpool (1.25 HP Single Speed Pump, 115V 9.5 Amp)	1 Dedicated 20 Amp GFCI Circuit
Thermal Air (1 HP Blower with 600 Watt Heater)	1 Dedicated 20 Amp GFCI Circuit

Model	GC	AC	A	B	C	D	E	F	G	H	I	J	K	L	Jets	Pump HP	Water Capacity
6042	N/A	√	60"	41½"	11"	20¾"	4½"	17½"	39"	20"	3"	1¼"	26"	22"	6	1.25	80 gal.
6642	N/A	√	66"	41½"	11"	20¾"	4½"	18"	44½"	20½"	3"	1¼"	26"	22"	6	1.25	85 gal.
7242	N/A	√	72"	41½"	11"	20¾"	4½"	17¾"	50"	20¼"	3"	1¼"	26"	22"	6	1.25	90 gal.

Framing Dimension



Island Drop-In				Approvals
Model	(L) enght	(W)idth	(H)eight Finish	Commonwealth of Massachusetts
6042	58"	40"	19¼"	
6642	64"	40"	19¼"	
7242	70"	40"	19½"	

All Specifications subject to change without notice