



29132 Avenue Paine, Valencia, CA 91355
 Phone (661) 775-0686 · Fax (661) 775-0668
 www.hydrosystem.com
 e-mail: hydro@hydrosystem.com

Builder Duo Oval



Tub must be set in Mortar Base

Model Feature

- White/Almond/Bone/Natural
- Acrylic/Fiberglass Bathtub
- Integral wood base
- 6 directional jets
- Air switch
- Silent air induction
- Suction cover
- 1¼ hp UL listed pump, mounted
- Sturdy cardboard box or wooden crate

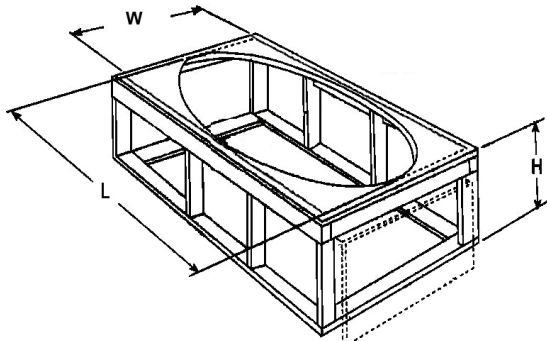
Optional Equipment

- Waste & overflow
Polished chrome
Polished brass
- System trim
Polished Chrome
Polished Brass

			<table border="1" style="width: 100%; border-collapse: collapse;"> <tr> <th style="background-color: #003366; color: white;">Electrical Components</th> <th style="background-color: #003366; color: white;">Electrical Requirements</th> </tr> <tr> <td>Whirlpool (1.25 HP Single Speed Pump, 115V 9.5 Amp)</td> <td>1 Dedicated 20 Amp GFCI Circuit</td> </tr> <tr> <td>Thermal Air (1 HP Blower with 600 Watt Heater)</td> <td>1 Dedicated 20 Amp GFCI Circuit</td> </tr> </table>	Electrical Components	Electrical Requirements	Whirlpool (1.25 HP Single Speed Pump, 115V 9.5 Amp)	1 Dedicated 20 Amp GFCI Circuit	Thermal Air (1 HP Blower with 600 Watt Heater)	1 Dedicated 20 Amp GFCI Circuit
Electrical Components	Electrical Requirements								
Whirlpool (1.25 HP Single Speed Pump, 115V 9.5 Amp)	1 Dedicated 20 Amp GFCI Circuit								
Thermal Air (1 HP Blower with 600 Watt Heater)	1 Dedicated 20 Amp GFCI Circuit								

Model	GC	A C	A	B	C	D	E	F	G	H	I	J	K	L	Jet s	Pump HP	Water Capacity
6644	N/A	√	65½"	43¾"	12¾"	32¾"	4½"	3"	36"	18½"	1¼"	16"	26"	2¾"	8	1.25	60 gal.
7444	N/A	√	74¾"	44½"	12¾"	37¾"	5"	3"	43"	18¾"	1¼"	16¼"	26"	2¾"	8	1.25	80 gal.

Framing Dimension



Island Drop-In			
Model	(L)enght	(W)idth	(H)eight Finish
6644	64"	42"	17¼"
7444	72"	42"	18"

Approvals	
Commonwealth of Massachusetts	

All Specifications subject to change without notice