



29132 Avenue Paine, Valencia, CA 91355  
 Phone (661) 775-0686 · Fax (661) 775-0668  
 www.hydrosystem.com  
 e-mail: hydro@hydrosystem.com

## Builder 7242



Tub must be set in Mortar Base

### Model Feature

- White/Almond/Bone/Natural
- Acrylic/Fiberglass Bathtub
- Integral wood base
- 6 directional jets
- Air switch
- Silent air induction
- Suction cover
- 1¼ hp UL listed pump, mounted
- Sturdy cardboard box or wooden crate

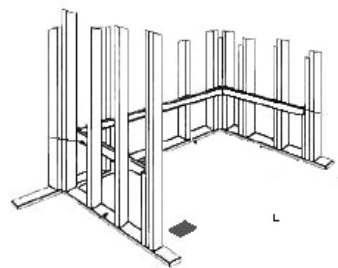
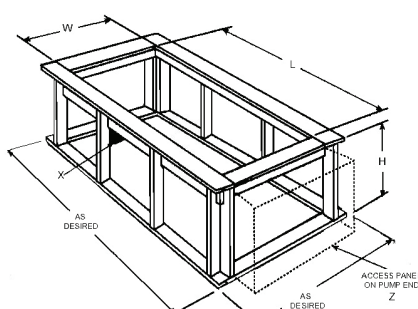
### Optional Equipment

- Removable access panel skirt
- Waste & overflow  
Polished chrome  
Polished brass
- System trim  
Polished Chrome  
Polished Brass
- Tile Flange, molded

Electrical Components	Electrical Requirements
Whirlpool (1.25 HP Single Speed Pump, 115V 9.5 Amp)	1 Dedicated 20 Amp GFCI Circuit
Thermal Air (1 HP Blower with 600 Watt Heater)	1 Dedicated 20 Amp GFCI Circuit

Model	GC	AC	A	B	C	D	E	F	G	H	I	J	K	L	M	Jets	Pump HP	Water Cap.
7242	N/A	√	72"	41½"	10½"	20¾"	5"	4"	3"	29"	48"	20½"	1½"	18"	3½"	6	1.25	70 gal.

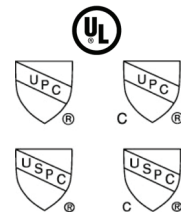
## Framing Dimension



All Specifications subject to change without notice

### Approvals

Commonwealth of Massachusetts



### Island Drop-In

### Three Wall Enclosure

Model	(L) enght	(W)idth	(H)eight Finish	(L)enght	(W)idth	(H)eight Finish	(H)eight Tubs with molded Flange
7242	70"	40"	20"	72"	42"	19¾"	21¼"