



29132 Avenue Paine, Valencia, CA 91355
 Phone (661) 775-0686 · Fax (661) 775-0668
 www.hydrosystem.com
 e-mail: hydro@hydrosystem.com

Builder 5959



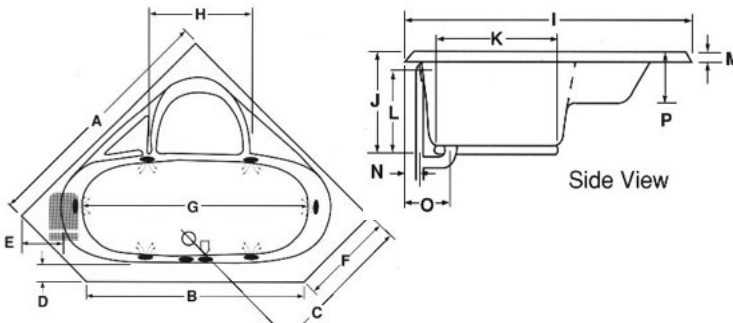
Tub must be set in Mortar Base

Model Feature

- White/Almond/Bone/Natural
- Acrylic/Fiberglass Bathtub
- Integral Wood Base
- 6 directional jets
- Air switch
- Silent air induction
- Suction cover
- 1 ¼ hp UL listed pump, mounted
- Sturdy cardboard box or wooden crate

Optional Equipment

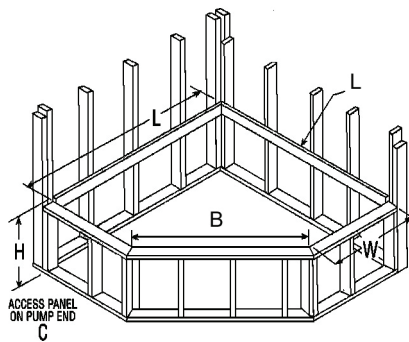
- Removable access panel skirt
- Waste & overflow
Polished chrome
Polished brass
- System trim
Polished Chrome
Polished Brass
- Tile Flange, molded



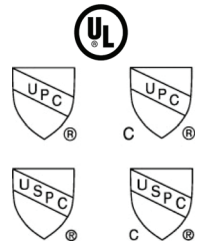
Electrical Components	Electrical Requirements
Whirlpool (1.25 HP Single Speed Pump, 115V 9.5 Amp)	1 Dedicated 20 Amp GFCI Circuit
Thermal Air (1 HP Blower with 600 Watt Heater)	1 Dedicated 20 Amp GFCI Circuit

Mode	GC	AC	A	B	C	D	E	F	G	H	I	J	K	L	M	N	O	P	Jet	Pump	Water Cap.
5959	N/A	√	59"	52½"	34½"	4"	9½"	21¼"	51"	24"	56"	20¾"	24"	18¼"	1¼"	2¼"	9"	10½"	6	1.25	65 gal.

Framing Dimension



Tub Opening Dimensions					Approvals
Model	(L)enght	(W)idth	B	(H)eight	Commonwealth of Massachusetts
5959	57"	20 ⁷ / ₈ "	51"	20"	



All Specifications subject to change without notice